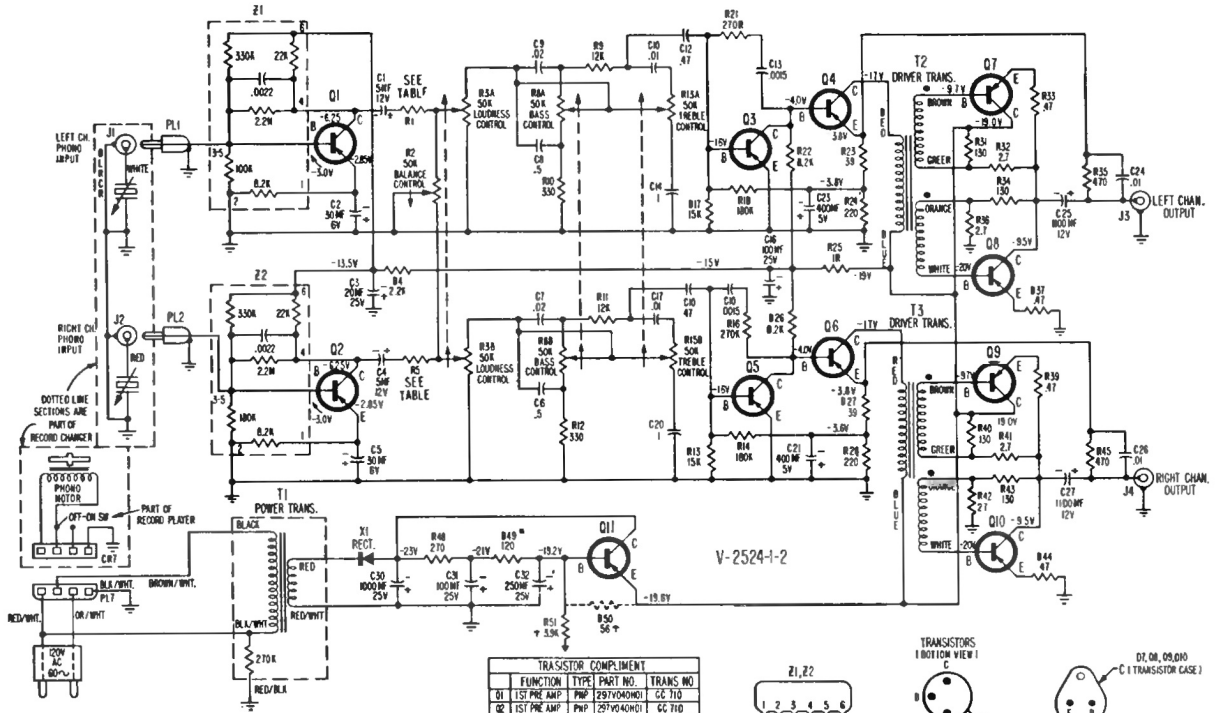


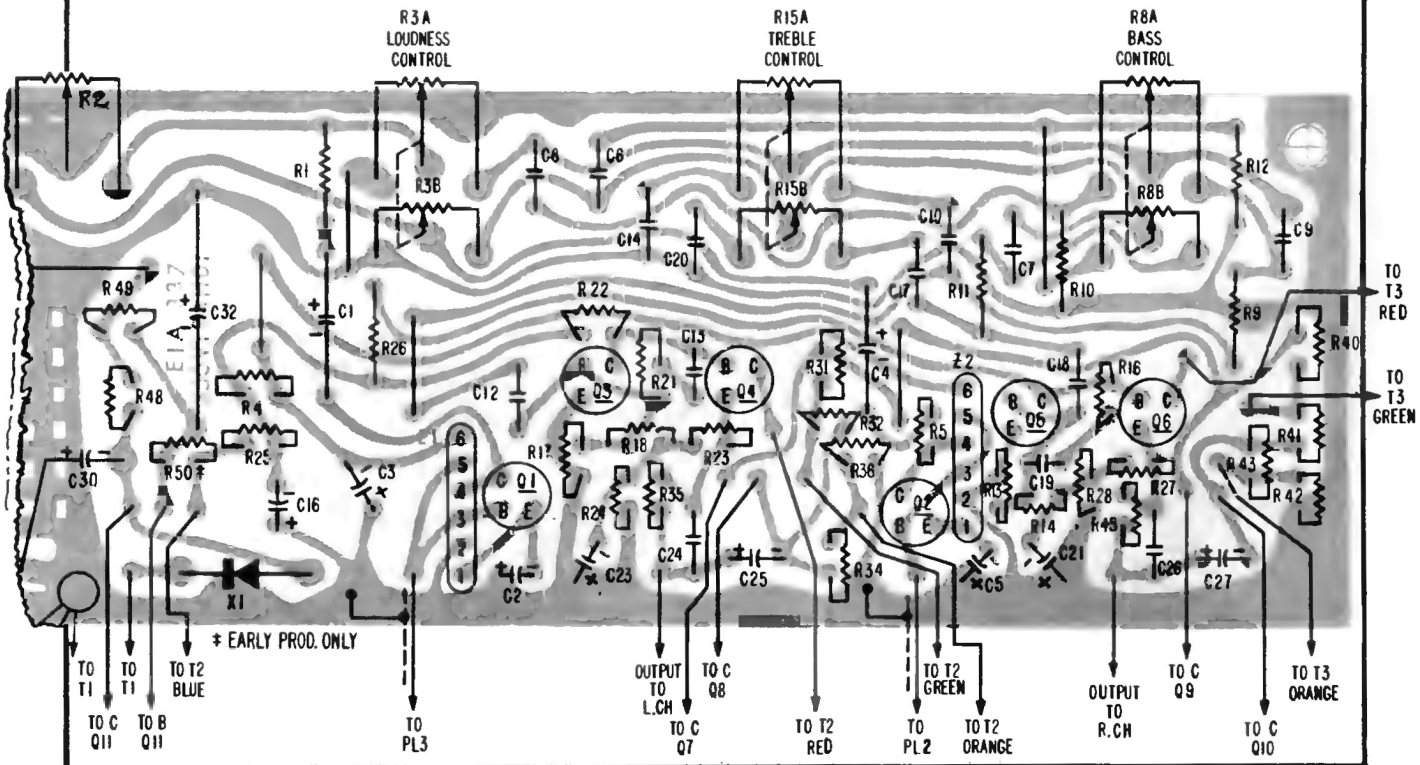
**WESTINGHOUSE** Models H-91ACS1, H-120ACS1, H-121ACS1, Chassis V-2524-1  
 Model H-92ACS1, Chassis V-2524-2  
 Models H-F1030, H-F1031, H-F1033, Chassis V-2524-3



- ARROWS ON CONTROLS INDICATE CLOCKWISE ROTATION (CONTROLS VIEWED FROM SHAFT END).
- REAR SECTIONS OF CONTROLS ARE RIGHT CHANNEL.
- D.C. VOLTAGES MEASURED FROM CIRCUIT GROUND USING 10 V.V.M., CONTROLS SET AT MINIMUM.
- ALL CAPACITANCE VALUES ARE IN PFD AND ALL RESISTANCE VALUES IN OHMS, 1/2 WATT UNLESS OTHERWISE SPECIFIED.
- EARLY PRODUCTION HAS 210 OHMS; (20 USED WITH R51)
- R50 RESISTOR USED IN EARLY PRODUCTION ONLY; R51 LATER PROD. ONLY.

FUNCTION	TYPE	PART NO.	TRANS. NO.
Q1	1ST PRE AMP	287Y040H01	CE 710
Q2	2ND PRE AMP	287Y040H01	CE 710
Q3	2ND PRE AMP	287Y040H01	CE 710
Q4	AUDIO DRIVER	287Y040H15	CE 616
Q5	2ND PRE AMP	287Y040H01	CE 710
Q6	AUDIO DRIVER	287Y040H01	CE 616
Q7	AUDIO OUT	287Y040H01	B1709
Q8	AUDIO OUT	287Y040H01	B1709
Q9	AUDIO OUT	287Y040H01	B1709
Q10	AUDIO OUT	287Y040H01	B1709
Q11	IC MULTIPLIER	287Y040H01	B1709

CHASSIS NO.	R1	R5
V-2524-1, 2	560Ω	560Ω
U-2524-3	2700Ω	2700Ω



Bottom view of PC board.